



# *AIR CUP MANAGEMENT KIT*

**TWO CUP**

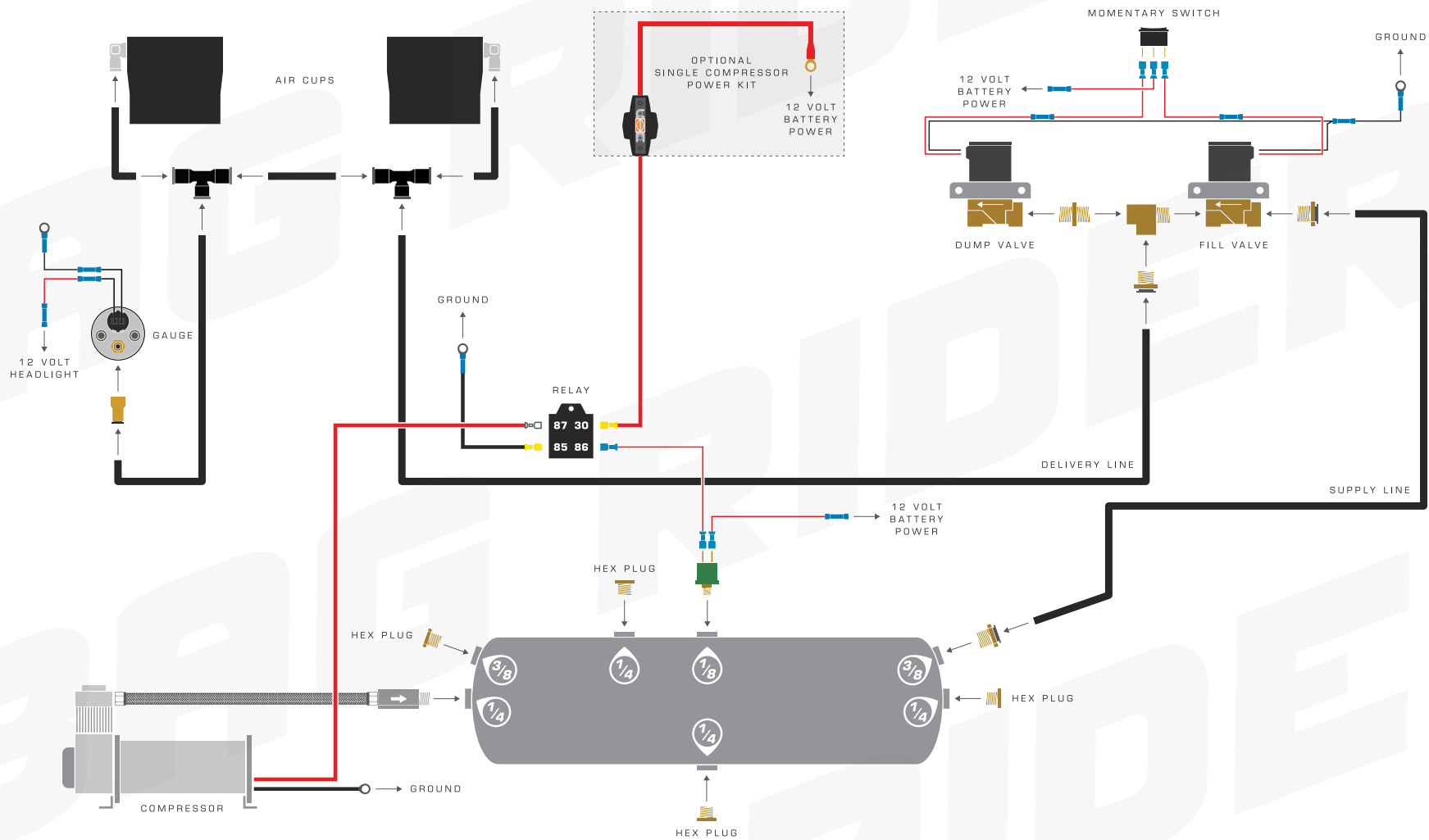
**INSTALLATION GUIDE & DEFAULT COMPONENTS**

*FOR OFF-ROAD USE ONLY*

© 2014 BAG RIDERS, LLC. | [WWW.BAGRIDERS.COM](http://WWW.BAGRIDERS.COM) | 802.735.2574

## SINGLE COMPRESSOR WITH TANK

NOT TO SCALE — © 2014 BAG RIDERS, LLC.



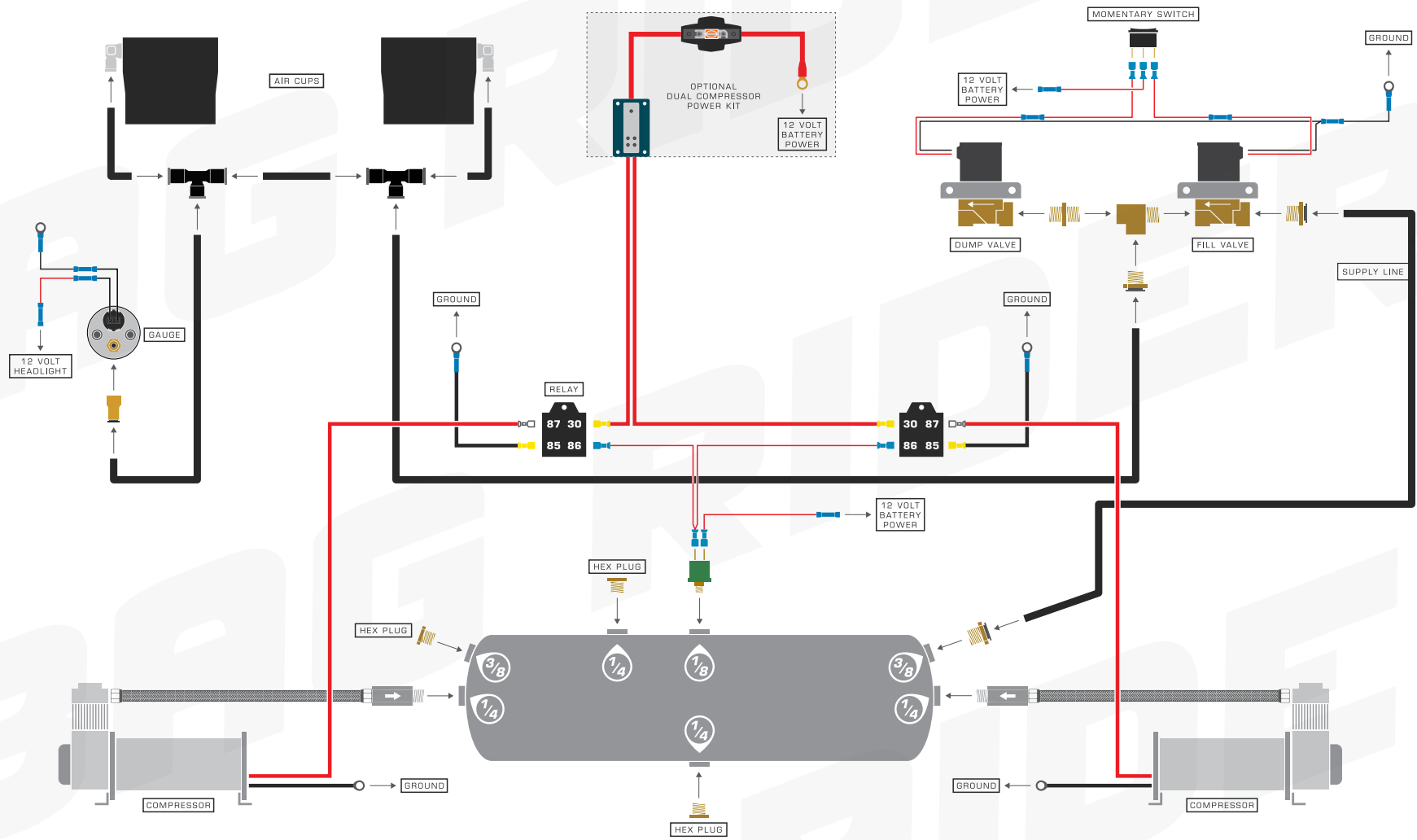
- 1 - Accuair Aluminum 3 Gallon Tank
- 1 - VIAIR 400c Compressor
- 1 - SMC Male Straight (1/4" PTC - 3/8" NPT)
- 2 - SMC Male Straight (1/4" PTC - 1/4" NPT)
- 1 - SMC Female Straight (1/4" PTC - 1/8" PTC)
- 2 - SMC Union Tee (1/4" PTC)
- 3 - Parker Brass Hex Plug (1/4")
- 1 - Parker Brass Hex Plug (3/8")
- 1 - Parker Brass Street Tee (1/4")

- 1 - Parker Brass Hex Nipple (1/4" - 1/4")
- 40 - Air Lift 1/4 Inch Air Line (By the Foot)
- 1 - Extra Single Needle Gauge
- 1 - AVS Rocker Switch (MOM-ON-MOM)
- 2 - Brass Valve (1/4")
- 1 - 12V 40A Relay
- 1 - Non-Adjustable Pressure Switch (145PSI)
- 62 - Red 16 Gauge Wire (By the Foot)
- 4 - Red 12 Gauge Wire (By the Foot)

- 7 - Black 16 Gauge Wire (By the Foot)
- 2 - Black 12 Gauge Wire (By the Foot)
- 8 - Blue Butt Connector (16-14 AWG)
- 3 - Blue Ring Connector (16-14 AWG)
- 6 - Blue Female Spade Connector (16-14 AWG)
- 2 - Yellow Female Spade Connector (16-14 AWG)

## DUAL COMPRESSOR WITH TANK

NOT TO SCALE — © 2014 BAG RIDERS, LLC.



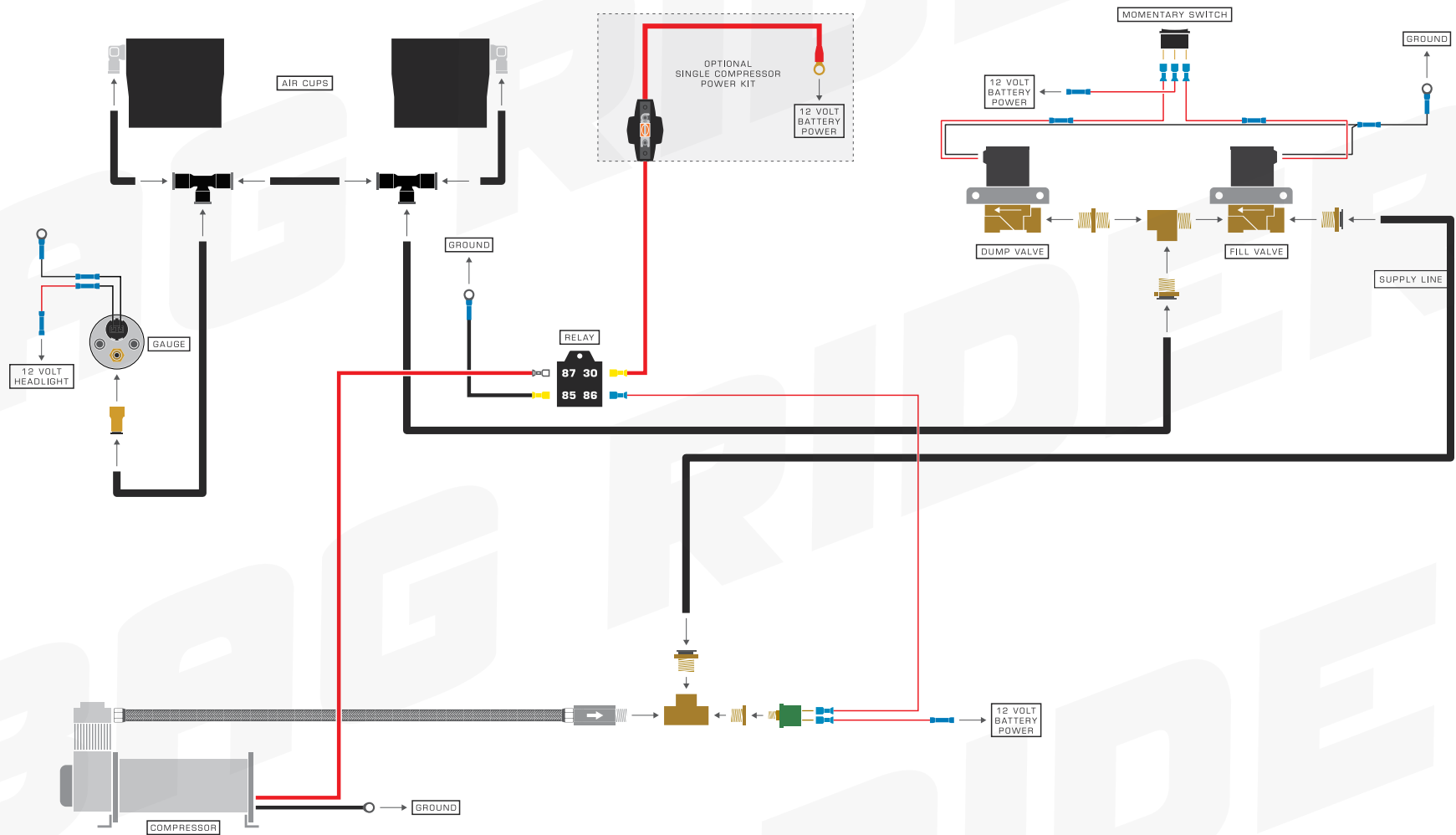
- 1 - Accuair Aluminum 3 Gallon Tank
- 1 - VIAIR 400c Compressor
- 1 - SMC Male Straight (1/4" PTC - 3/8" NPT)
- 2 - SMC Male Straight (1/4" PTC - 1/4" NPT)
- 1 - SMC Female Straight (1/4" PTC - 1/8" PTC)
- 2 - SMC Union Tee (1/4" PTC)
- 3 - Parker Brass Hex Plug (1/4")
- 1 - Parker Brass Hex Plug (3/8")
- 1 - Parker Brass Street Tee (1/4")

- 1 - Parker Brass Hex Nipple (1/4" - 1/4")
- 40 - Air Lift 1/4 Inch Air Line (By the Foot)
- 1 - Extra Single Needle Gauge
- 1 - AVS Rocker Switch (MOM-ON-MOM)
- 2 - Brass Valve (1/4")
- 1 - 12V 40A Relay
- 1 - Non-Adjustable Pressure Switch (145PSI)
- 62 - Red 16 Gauge Wire (By the Foot)
- 4 - Red 12 Gauge Wire (By the Foot)

- 7 - Black 16 Gauge Wire (By the Foot)
- 2 - Black 12 Gauge Wire (By the Foot)
- 8 - Blue Butt Connector (16-14 AWG)
- 3 - Blue Ring Connector (16-14 AWG)
- 6 - Blue Female Spade Connector (16-14 AWG)
- 2 - Yellow Female Spade Connector (16-14 AWG)

# SINGLE COMPRESSOR TANKLESS

NOT TO SCALE — © 2014 BAG RIDERS, LLC.



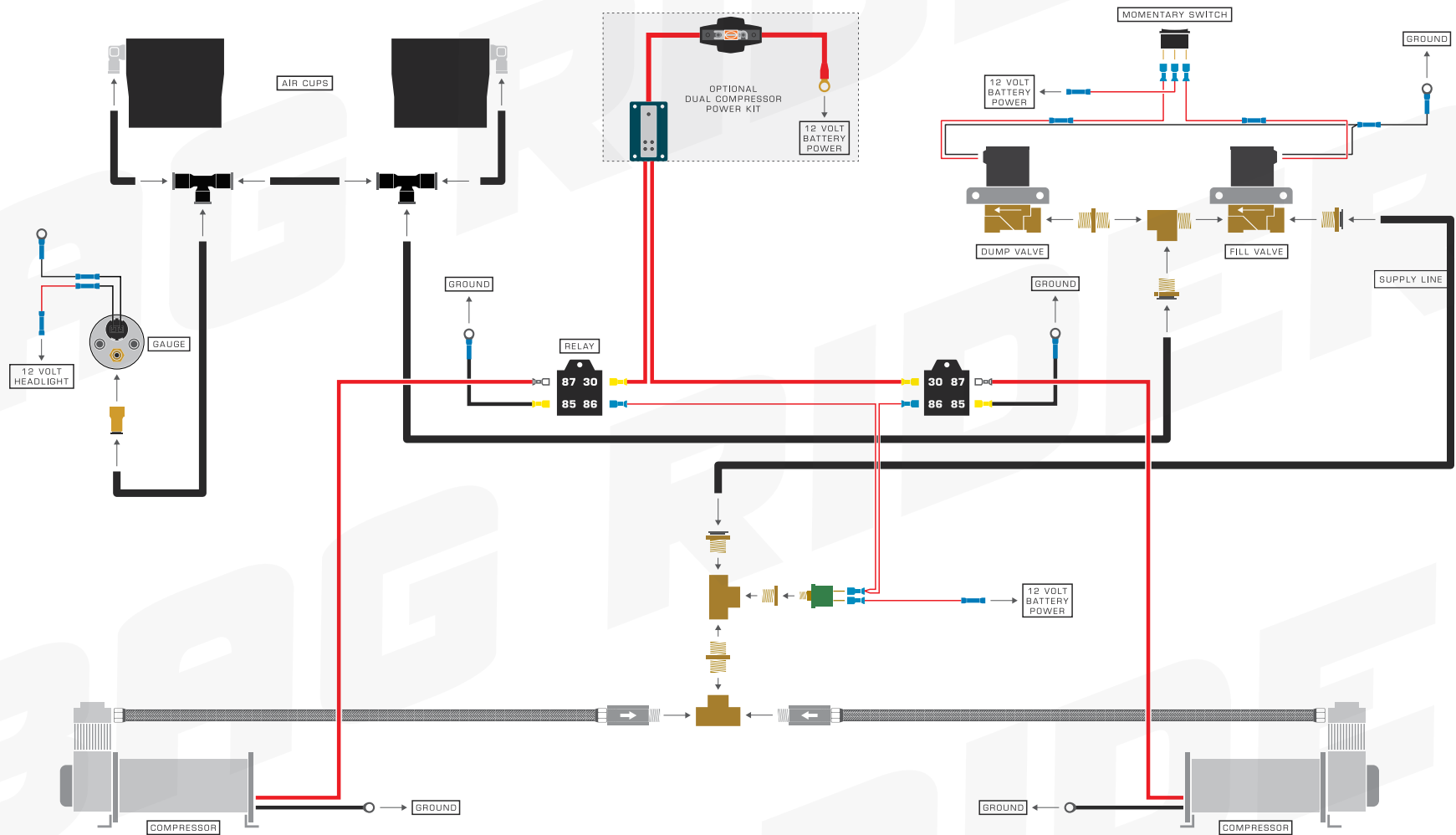
- 1 - VIAIR 400c Compressor
- 1 - SMC Male Straight (1/4" PTC - 3/8" NPT)
- 2 - SMC Male Straight (1/4" PTC - 1/4" NPT)
- 1 - SMC Female Straight (1/4" PTC - 1/8" PTC)
- 2 - SMC Union Tee (1/4" PTC)
- 3 - Parker Brass Hex Plug (1/4")
- 1 - Parker Brass Hex Plug (3/8")
- 1 - Parker Brass Street Tee (1/4")
- 1 - Parker Brass Hex Nipple (1/4" - 1/4")

- 1 - Parker Brass Female Tee (1/4" NPT)
- 40 - Air Lift 1/4 Inch Air Line (By the Foot)
- 1 - Extra Single Needle Gauge
- 1 - AVS Rocker Switch (MOM-ON-MOM)
- 2 - Brass Valve (1/4")
- 1 - 12V 40A Relay
- 1 - Non-Adjustable Pressure Switch (145PSI)
- 62 - Red 16 Gauge Wire (By the Foot)
- 4 - Red 12 Gauge Wire (By the Foot)

- 7 - Black 16 Gauge Wire (By the Foot)
- 2 - Black 12 Gauge Wire (By the Foot)
- 8 - Blue Butt Connector (16-14 AWG)
- 3 - Blue Ring Connector (16-14 AWG)
- 6 - Blue Female Spade Connector (16-14 AWG)
- 2 - Yellow Female Spade Connector (16-14 AWG)

## DUAL COMPRESSOR TANKLESS

NOT TO SCALE — © 2014 BAG RIDERS, LLC.



- 1 - VIAIR 400c Compressor
- 1 - SMC Male Straight (1/4" PTC - 3/8" NPT)
- 2 - SMC Male Straight (1/4" PTC - 1/4" NPT)
- 1 - SMC Female Straight (1/4" PTC - 1/8" PTC)
- 2 - SMC Union Tee (1/4" PTC)
- 3 - Parker Brass Hex Plug (1/4")
- 1 - Parker Brass Hex Plug (3/8")
- 1 - Parker Brass Street Tee (1/4")
- 2 - Parker Brass Hex Nipple (1/4" - 1/4")

- 2 - Parker Brass Female Tee (1/4")
- 40 - Air Lift 1/4 Inch Air Line (By the Foot)
- 1 - Extra Single Needle Gauge
- 1 - AVS Rocker Switch (MOM-ON-MOM)
- 2 - Brass Valve (1/4")
- 1 - 12V 40A Relay
- 1 - Non-Adjustable Pressure Switch (145PSI)
- 62 - Red 16 Gauge Wire (By the Foot)
- 4 - Red 12 Gauge Wire (By the Foot)

- 7 - Black 16 Gauge Wire (By the Foot)
- 2 - Black 12 Gauge Wire (By the Foot)
- 8 - Blue Butt Connector (16-14 AWG)
- 3 - Blue Ring Connector (16-14 AWG)
- 6 - Blue Female Spade Connector (16-14 AWG)
- 2 - Yellow Female Spade Connector (16-14 AWG)